

# Busbar Sealing Technology

ENNOVI-SealTech is our patent-pending technology that provides a shrinking method for sealing busbars, which prevents leakage of oil or water coolants while lowering production costs and improving design options.

# ENNOVI™

## COST EFFICIENCY



ENNOVI-SealTech is significantly lower in cost as compared to traditional potting processes without compromising on sealing performance.

## REDUCES PROCESSING TIME



Eliminates need for extra process steps to dispense filler material required in traditional potting methods.

## DESIGN FLEXIBILITY



Easily conforms to a wide range of busbar shapes and form factors.

## APPLICATIONS

Busbars or interconnects in electric motors, inverters, converters, oil pump interfaces in:

- + Hybrid vehicles
- + Electric vehicles
- + Commercial transportation

### 01. HIGH PERFORMANCE PLASTIC

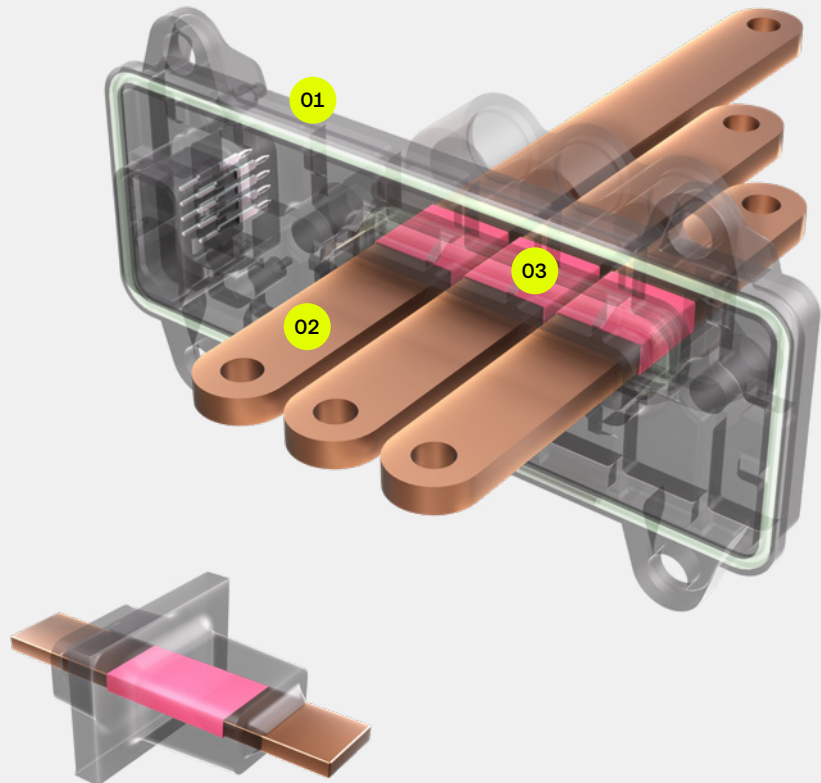
- + Injection molded construction.
- + Various plastic material options available.
- + High temperature construction.

### 02. POWER INTERFACE

- + Various metal material options such as copper and aluminum.

### 03. ENNOVI-SEALTECH

- + High sealing performance. Provides both fill and adhesion for a strong seal during normal injection molding processes.
- + Tested to achieve no leakage at 7 bar force, even after thermal cycling and aging.
- + Options for either shrink tubing or tape.
- + Seal size as small as 0.5mm x 5mm.
- + Compatible with various types of metals and plastics, such as PA66, PBT and PC.
- + Works in tight design space.
- + Ideal for applications that requires liquid coolant or lubricant on one side and dry electrical connections on the other side.



SHRINK TUBING / TAPE