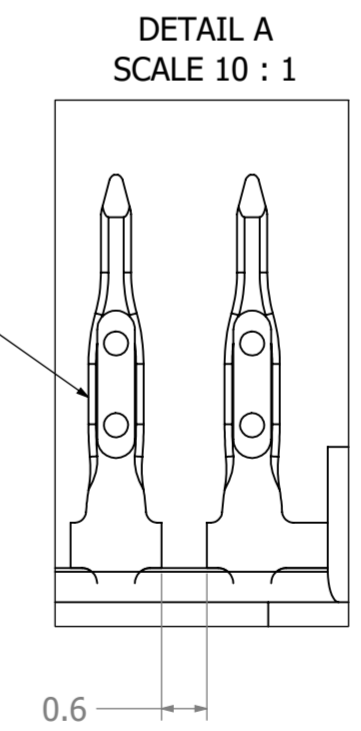
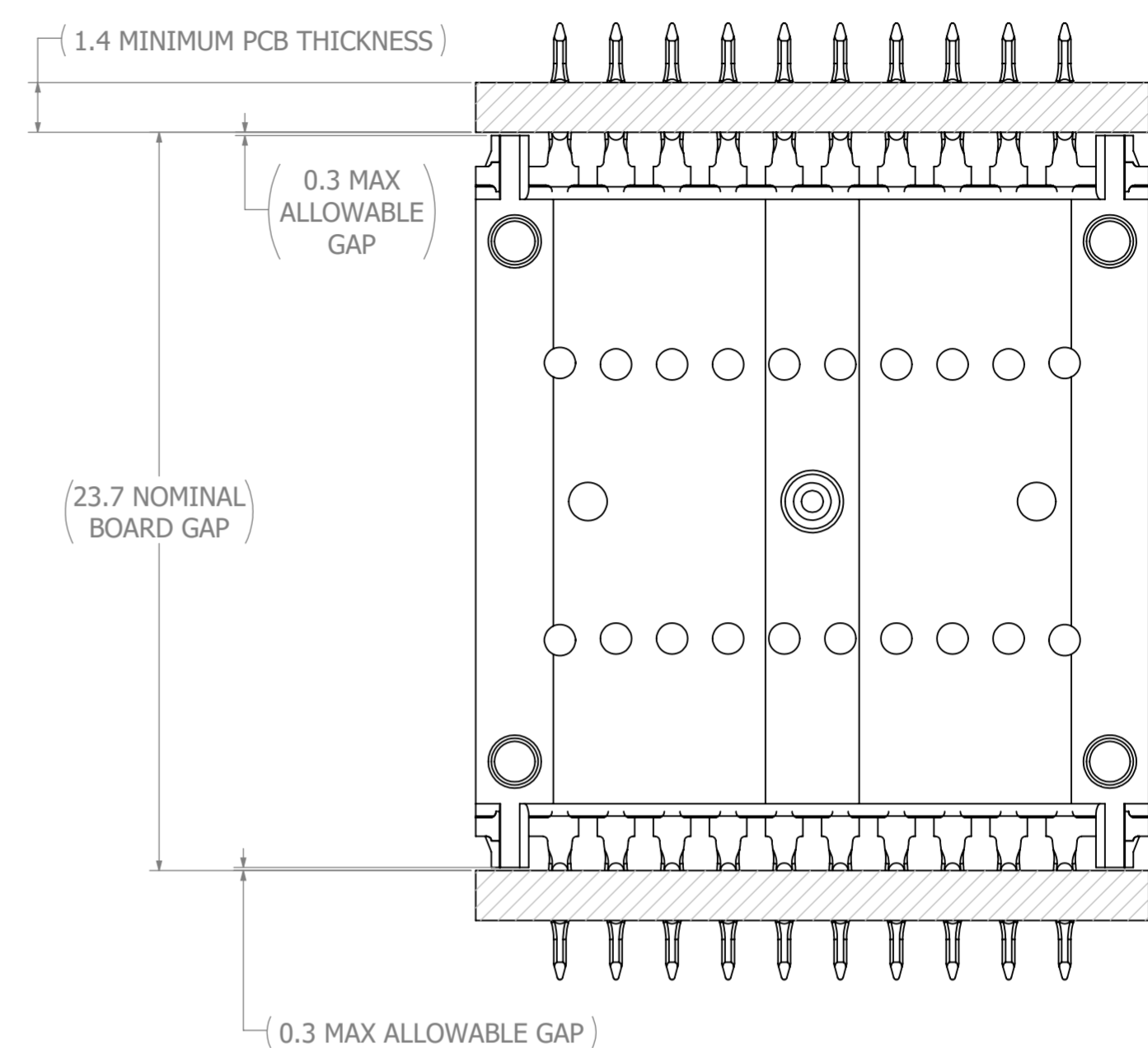
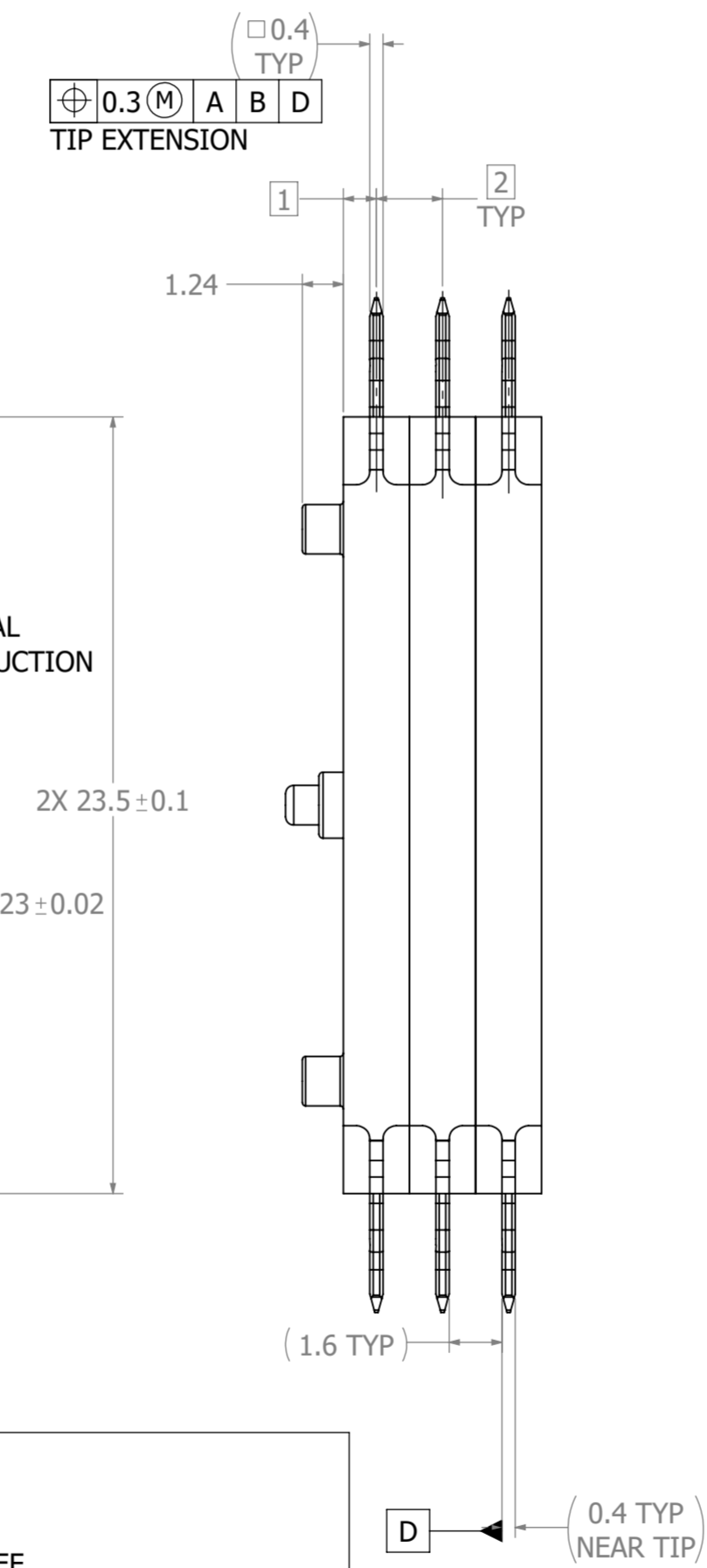
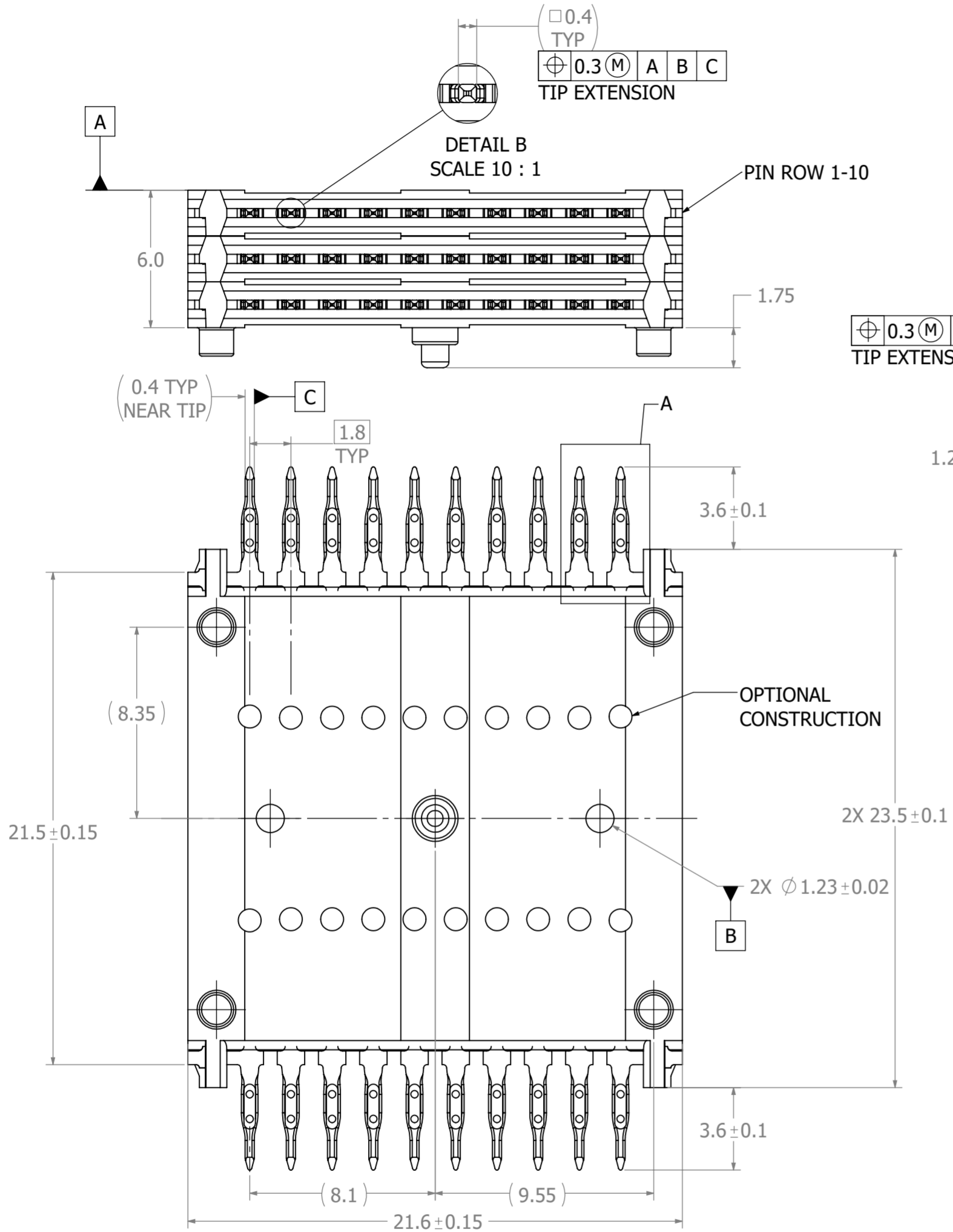


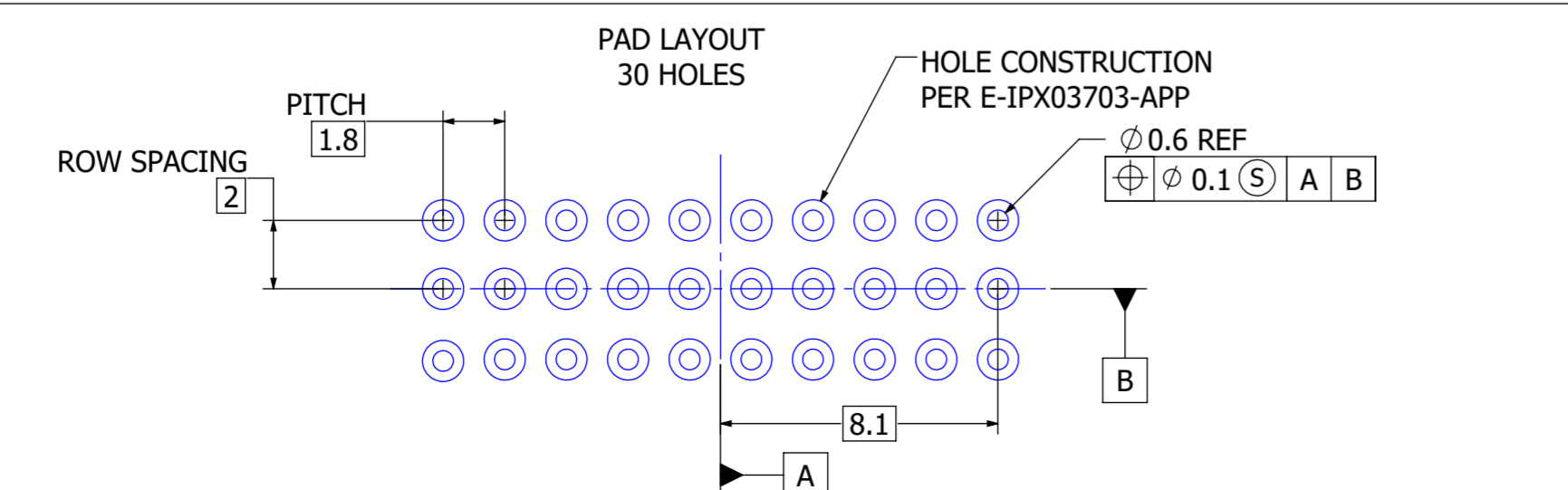
NOTES (UNLESS OTHERWISE NOTED):

1. RESIN: LCP30GF BLACK (0110G30A33350) PER ASTM D5138
2. PIN MATERIAL: COPPER NICKEL SILICON 0.4±.015 THICK
3. EYE PLATING: ENNOVI INDICOAT PER miniPLX PLATING SPEC; E-IPX03703-FIN-3
BALANCE OF PIN 1-3um NICKEL ELECTROPLATE
4. EYE TYPE: ENNOVI 0.4 MINI PLX
5. CLEANLINESS OF COMPONENT TO BE EVALUATED PER ISO 16232:2018(E).
PART MUST MEET THE FOLLOWING COMPONENT CLEANLINESS CODE (CCC)
 1. CONDUCTIVE PARTICLES: CCC=N (H5/I-N0)
 2. NON-CONDUCTIVE PARTICLES: CCC=N (H8/I5/J2/K2/L-N0)
 3. LESS THAN 0.25mg TOTAL PARTICULATE CONTAMINATION PER PART

REVISIONS				
ZONE	REV.	DESCRIPTION	DATE	APPROVED
	A	INITIAL RELEASE	2022-01-10	
	B	REMOVED ORIENTATION FEATURE	7/7/2022	



SEE ENNOVI DRAWING E-IPX03703 FOR MINI PLX EYE SPECIFICATION



ENNOVI PART # IPX50017

UNLESS OTHERWISE SPECIFIED:		ENNOVI™		
DIMENSIONS ARE IN mm				
TOLERANCES:		TITLE:	SCALE:	SIZE:
.X	± 0.1	30 WAY CONNECTOR	-	A2
.XX	± 0.07	23.7 BOARD - BOARD GAP		
.XXX	± 0.03	DRAWING NO.:	REV:	SHEET:
ANGULAR:	±2°	E-IPX50036	B	1 OF 1