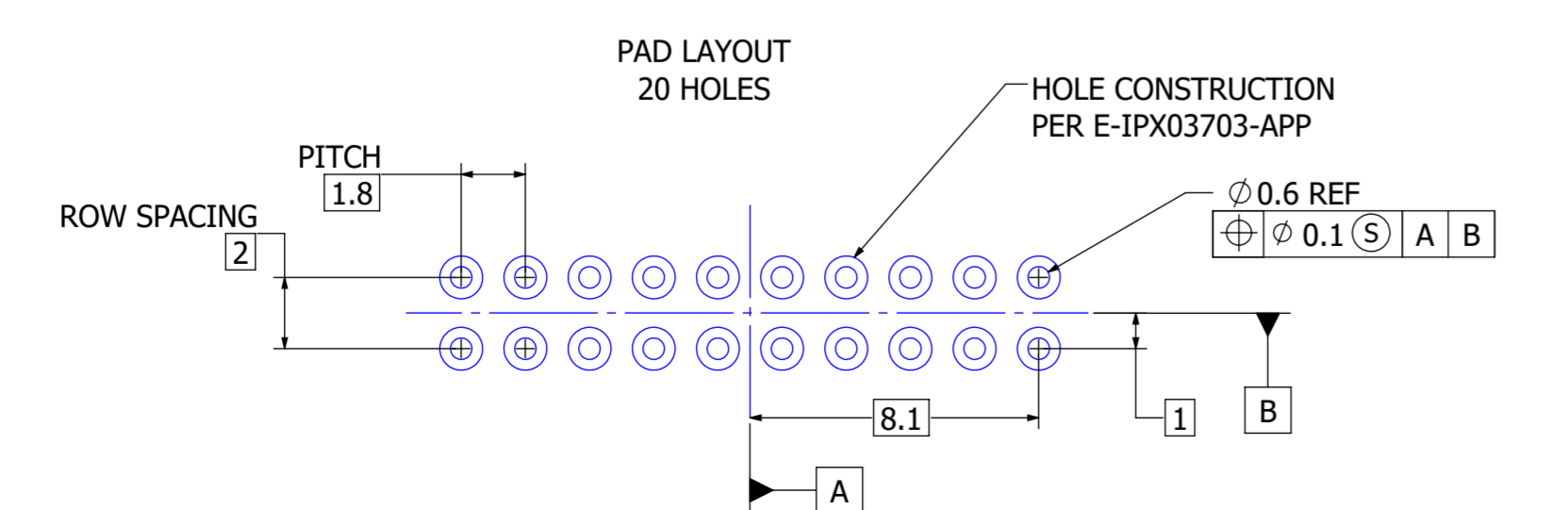
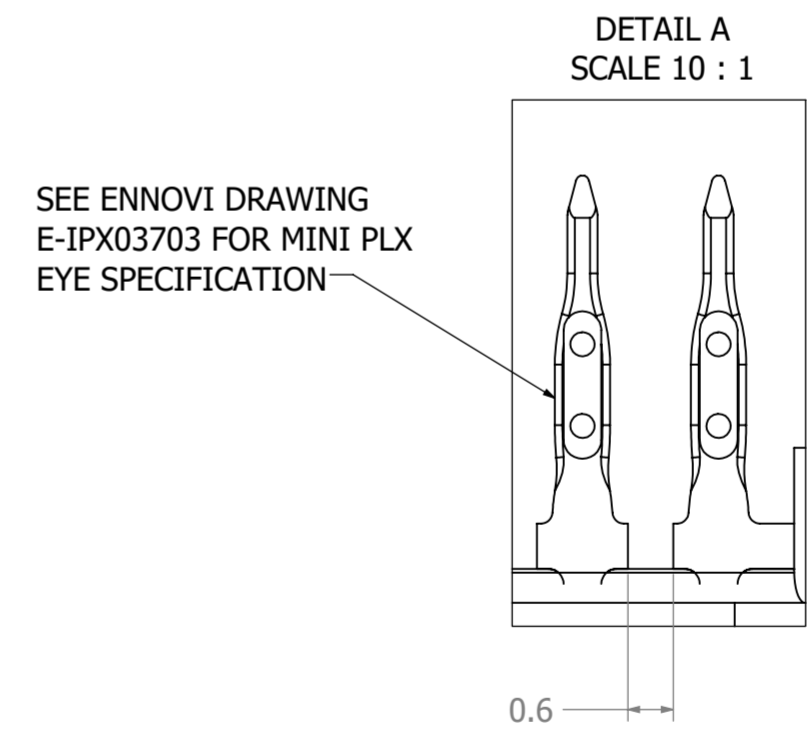
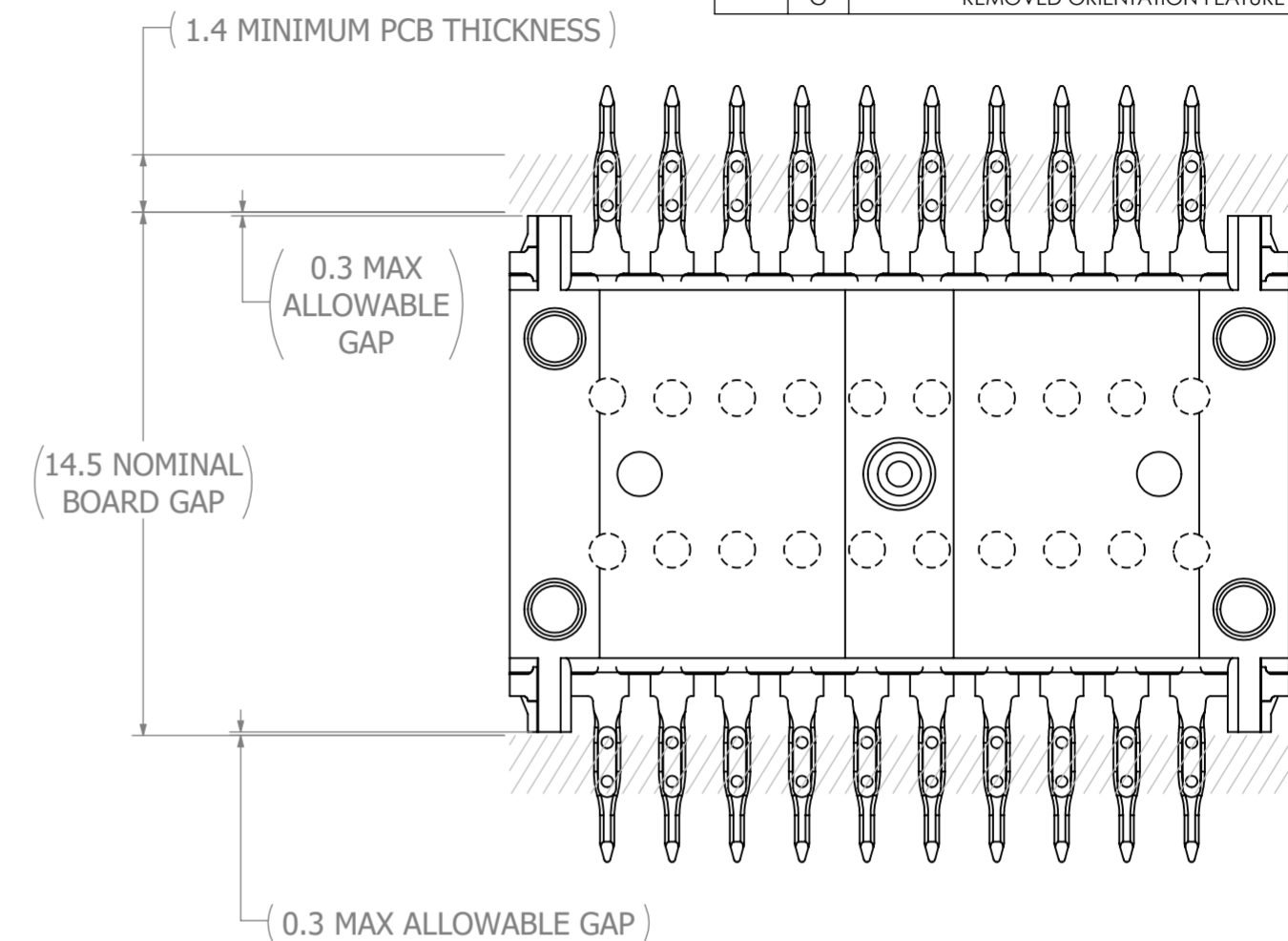
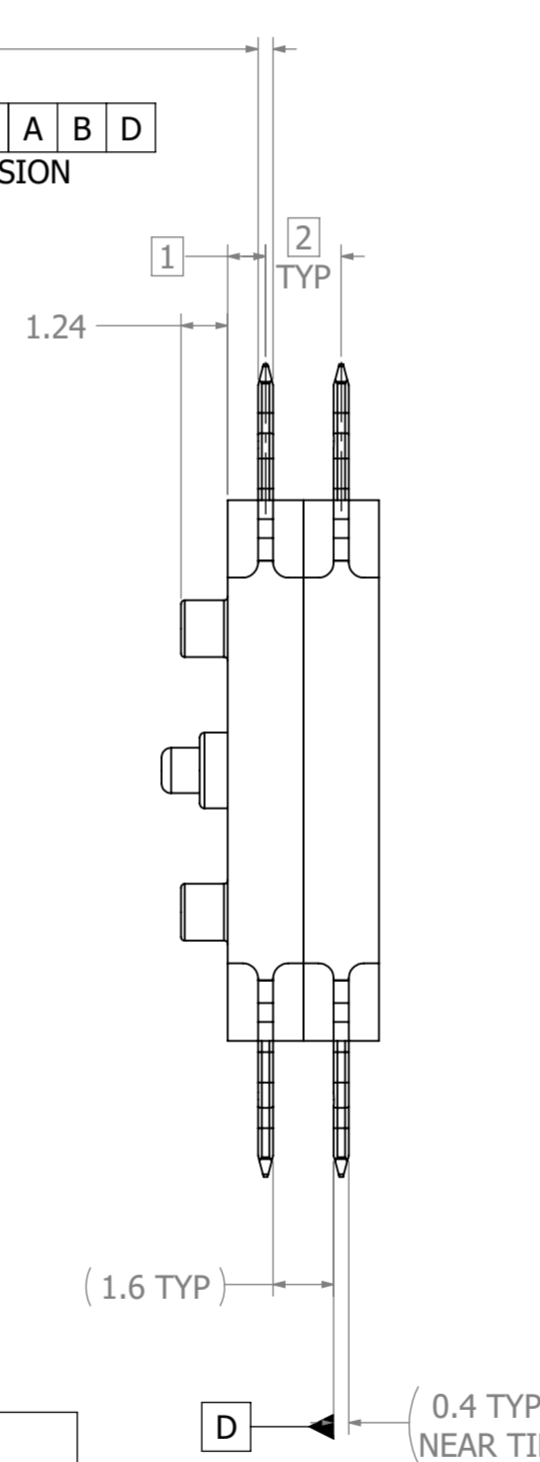
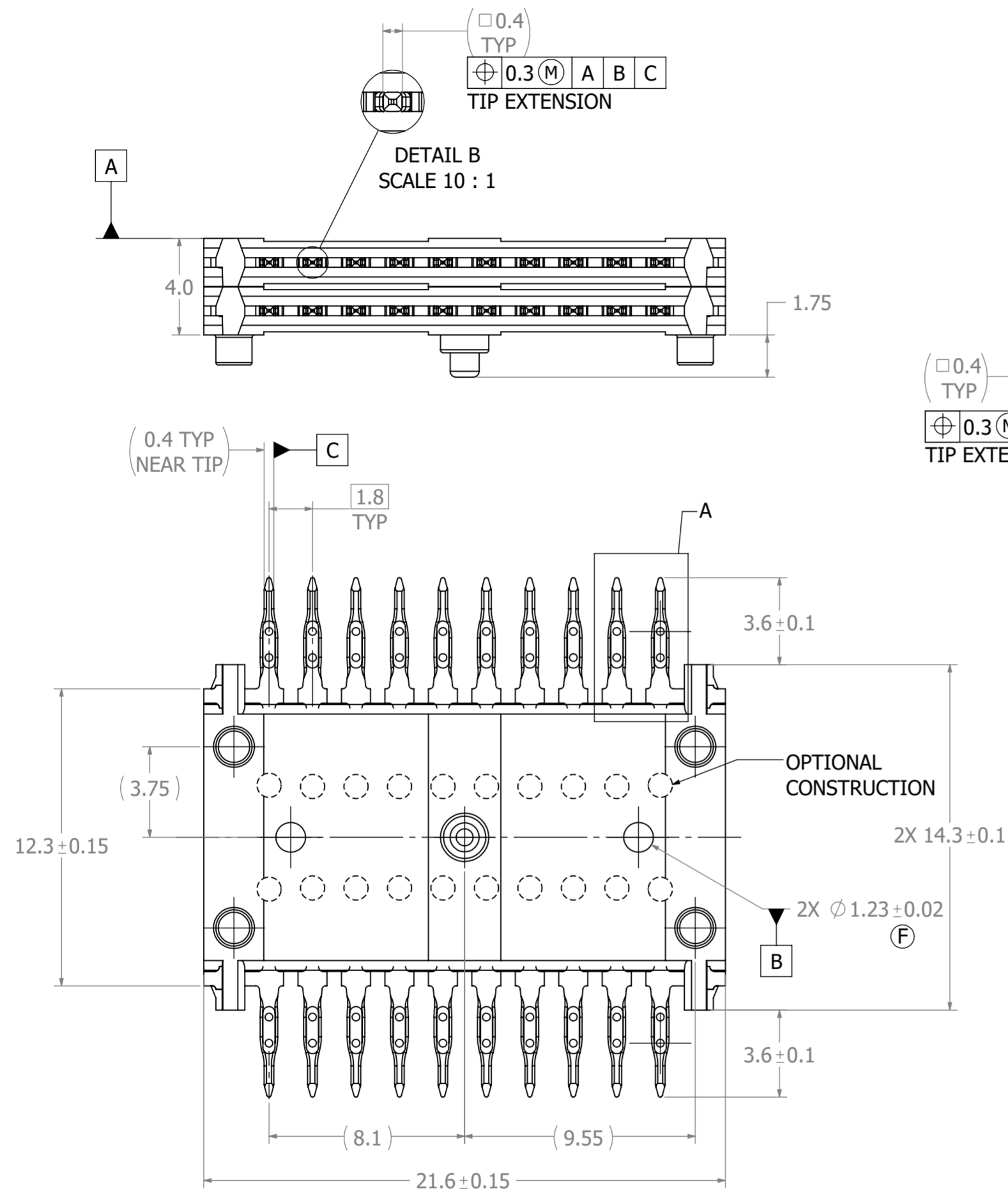


NOTES (UNLESS OTHERWISE NOTED):

1. RESIN: LCP30GF BLACK (0110G30A33350) PER ASTM D5138
2. PIN MATERIAL: COPPER NICKEL SILICON 0.4 ± .015 THICK
3. EYE PLATING: ENNOVI INDICOAT PER miniPLX PLATING SPEC; E-IPX03703-FIN-3
BALANCE OF PIN 1-3um NICKEL ELECTROPLATE
4. EYE TYPE: ENNOVI 0.4 MINI PLX
5. CLEANLINESS OF COMPONENT TO BE EVALUATED PER ISO 16232:2018(E).
PART MUST MEET THE FOLLOWING COMPONENT CLEANLINESS CODE (CCC)
 1. CONDUCTIVE PARTICLES: CCC=N (H5/I-N0)
 2. NON-CONDUCTIVE PARTICLES: CCC=N (H8/I5/J2/K2/L-N0)
 3. LESS THAN 0.25mg TOTAL PARTICULATE CONTAMINATION PER PART

REVISIONS				
ZONE	REV.	DESCRIPTION	DATE	APPROVED
	A	INITIAL RELEASE	2021-03-01	
	B	ADD 0.3 GAP, REMOVE CYL FROM TIP TP, ADDED TIP TP TO D, ADD 1.6 REF, REMOVE NOTE 5 AND 6.	5/12/2021	GP
	C	UPDATED MATERIAL NOTE, UPDATED DATUM D LOCATION, 0.1TP WAS 0.05TP	7/2/2021	
	D	REMOVED 3.6±0.01; ADDED 1.37±0.1; ADDED NOTE 5	8/23/2021	
	E	REMOVED 1.37±0.1; ADDED 3.6±0.1; UPDATED NOTE 5; ADDED 2X Ø1.5±0.02	10/6/2021	
	F	2X Ø1.23±0.02 WAS 2X Ø1.5±0.02	10/28/2021	
	G	REMOVED ORIENTATION FEATURE	7/7/2022	



ENNOVI PART # IPX50017

UNLESS OTHERWISE SPECIFIED: DIMENSIONS TOLERANCES		WEIGHT: -		THIRD ANGLE PROJECTION		ENNOVI™	
.X	±0.1	GENERAL TOLERANCE: SEE TABLE		MATERIAL: SEE NOTES		THIS DRAWING CONTAINS INFORMATION THAT IS THE PROPERTY OF ENNOVI™ AND SHOULD NOT BE USED WITHOUT WRITTEN PERMISSION	
.XX	±0.07	SURFACE FINISH: SEE NOTES		DRAWN: SEE REVISION TABLE		TITLE: 20 WAY CONNECTOR 14.5 BOARD-BOARD GAP	
.XXX	±0.03	DRAWN: SEE REVISION TABLE		CHECKED: SEE REVISION TABLE		DRAWING NO.: E-IPX50017	
ANGULAR	±2°	APPROVED: SEE REVISION TABLE		NAME: DATE:		SCALE: 5:1	
						SIZE: A2	
						SHEET 1 / 1	