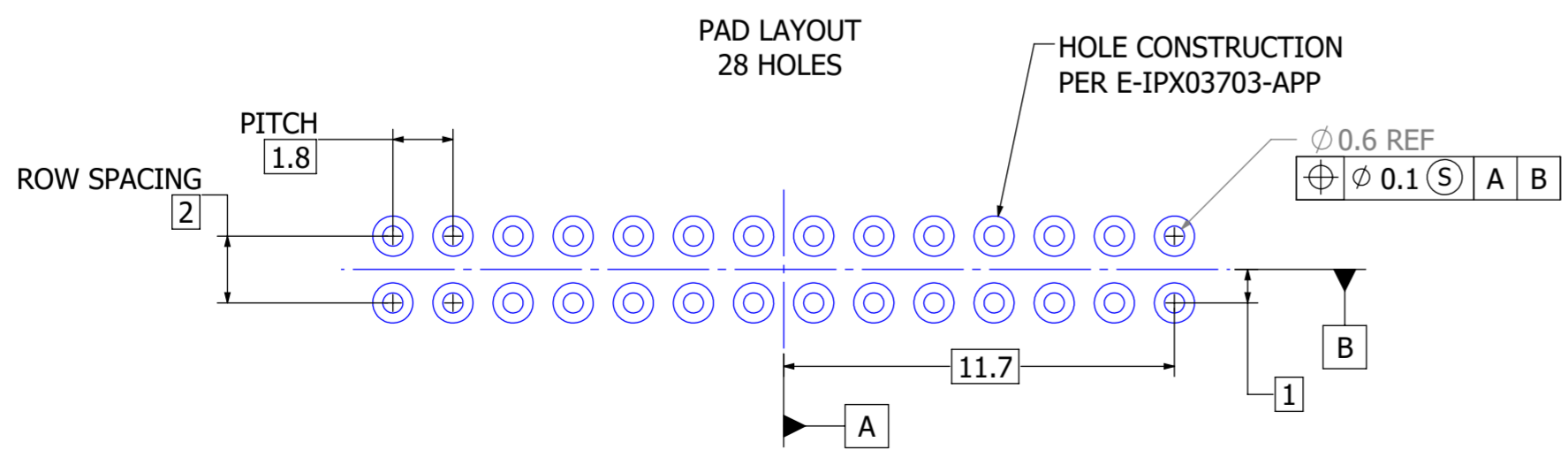
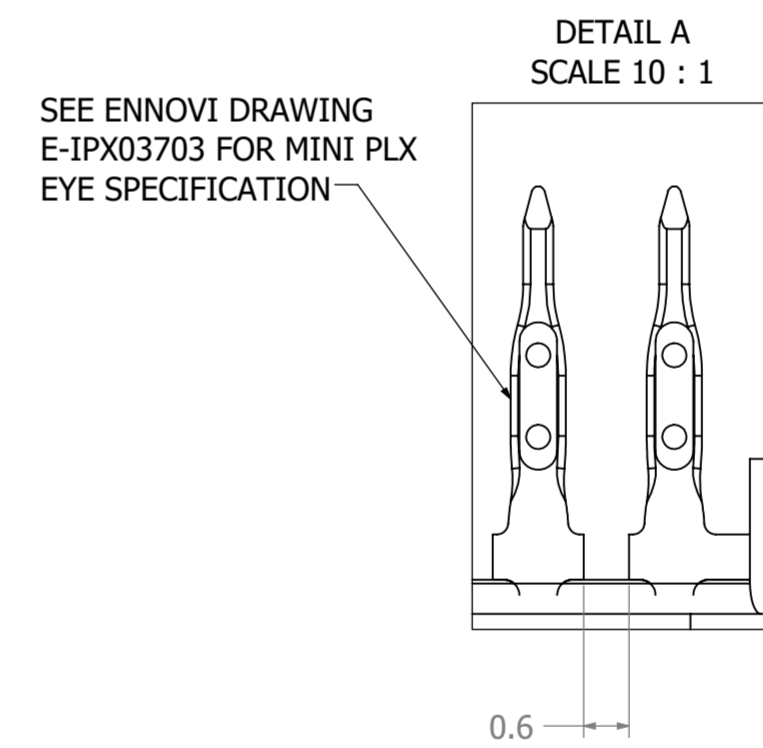
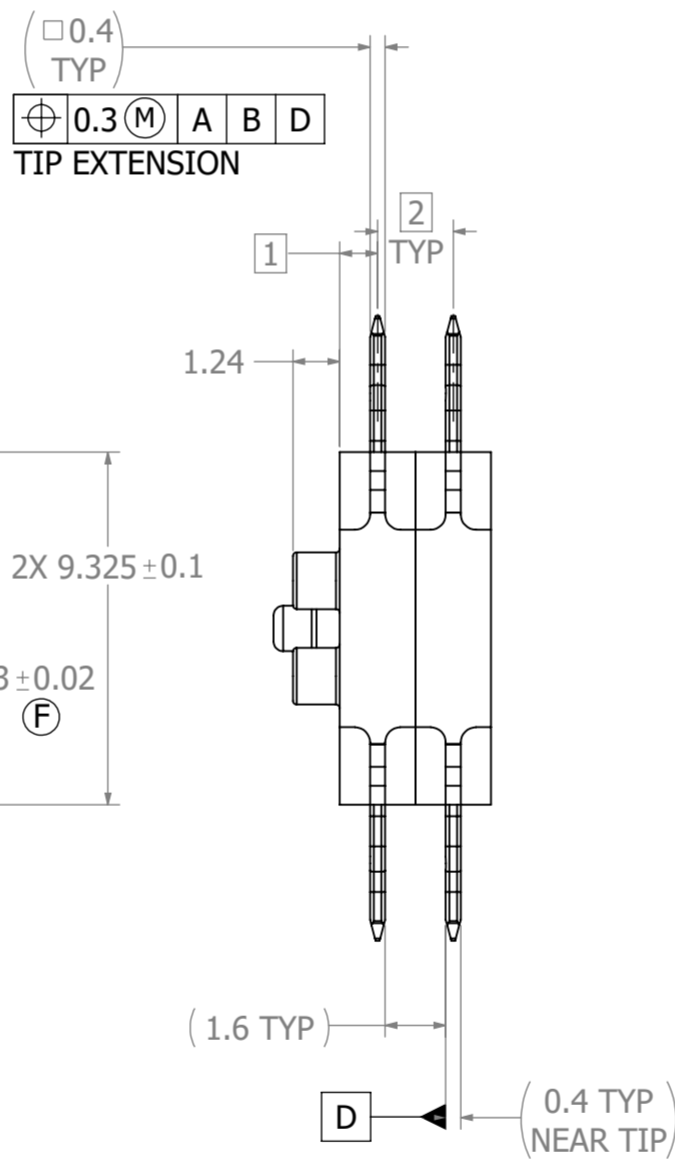
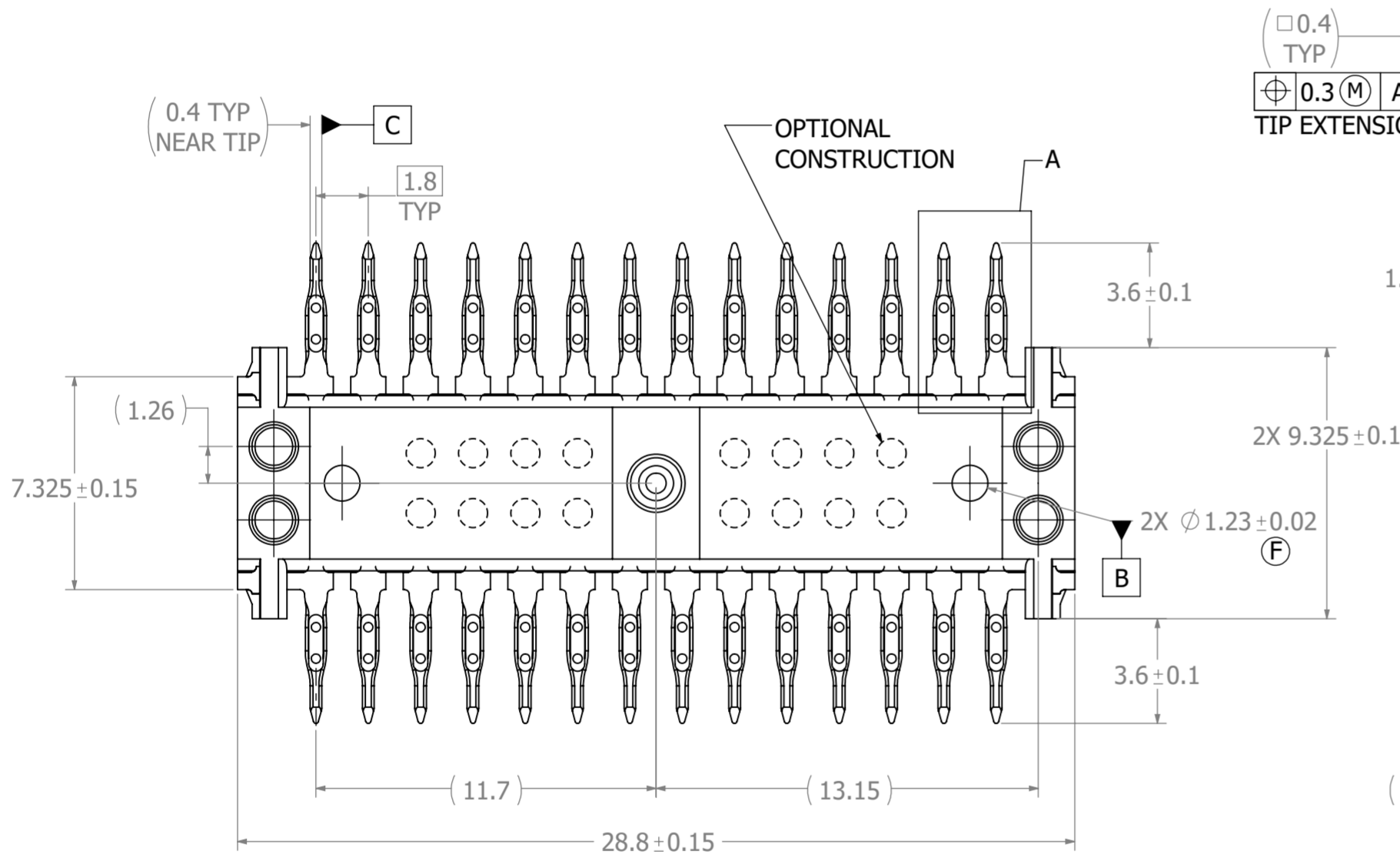
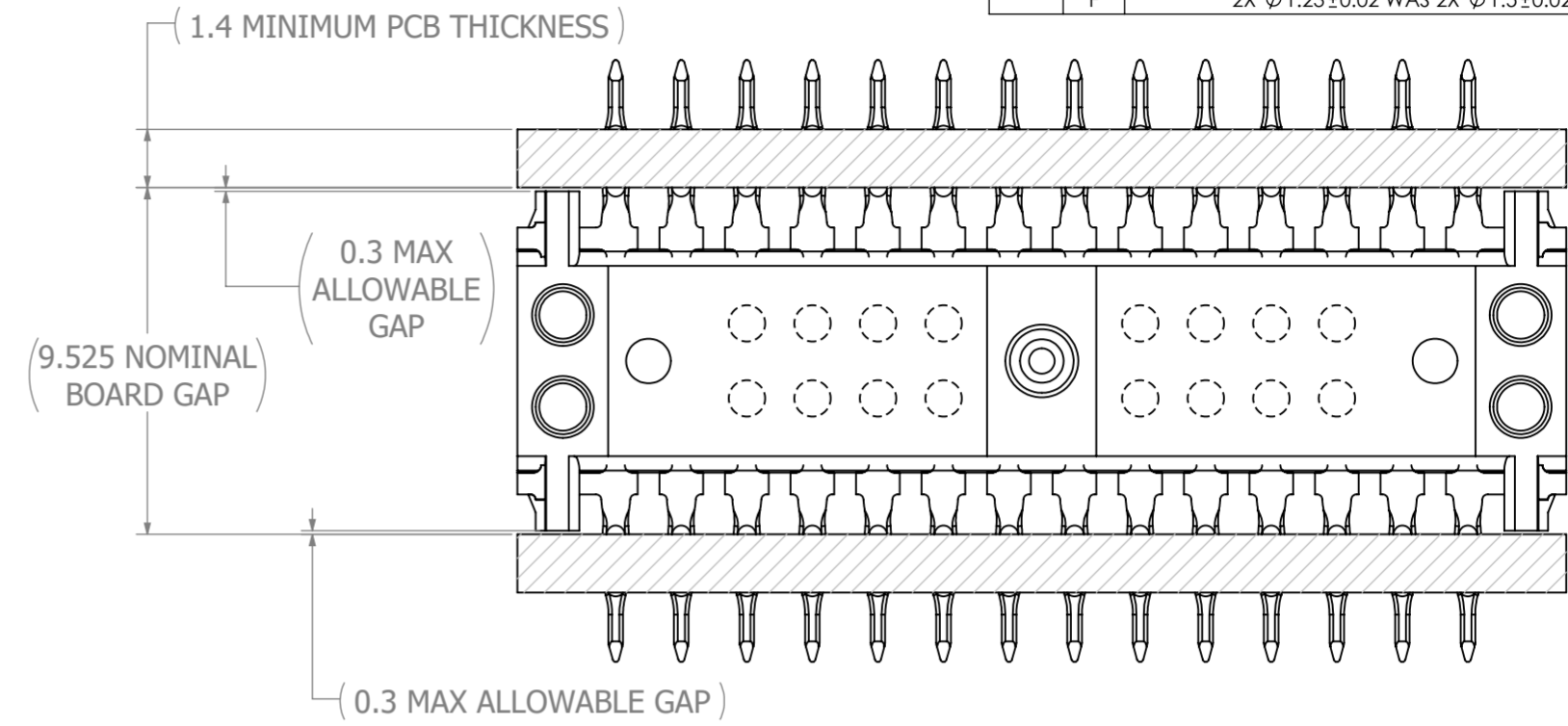
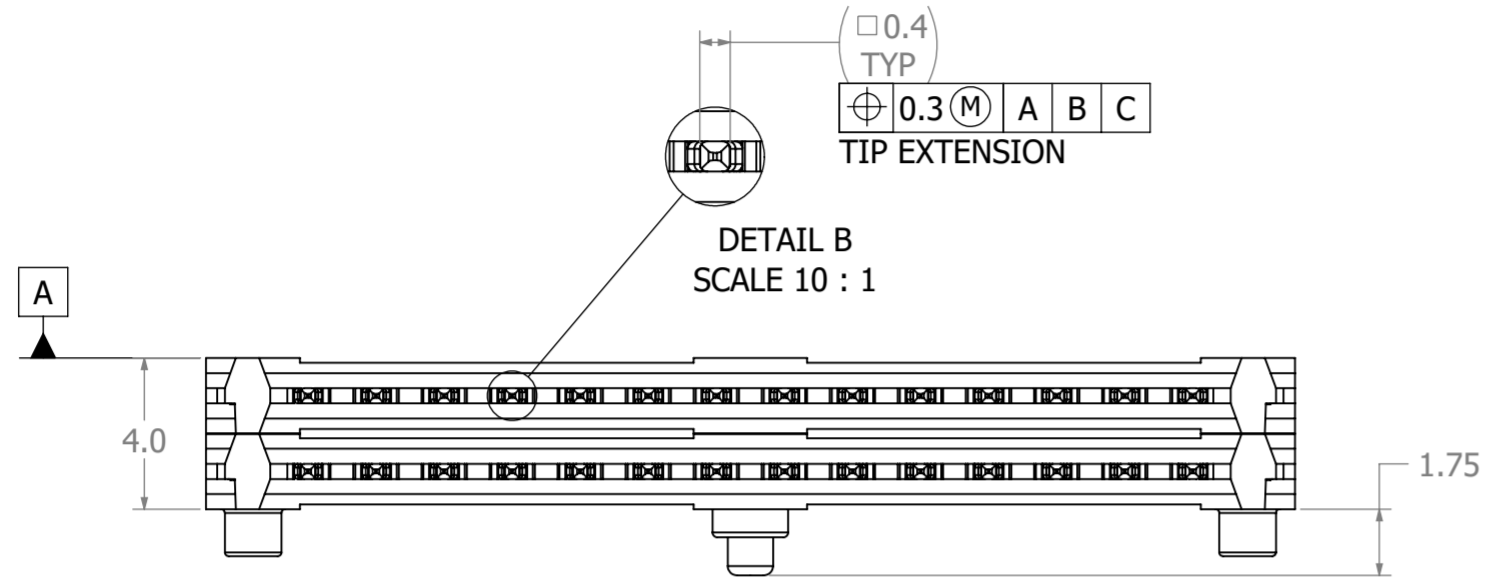


NOTES (UNLESS OTHERWISE NOTED):

1. RESIN: LCP30GF BLACK (0110G30A33350) PER ASTM D5138
2. PIN MATERIAL: COPPER NICKEL SILICON 0.4 ± 0.015 THICK
3. EYE PLATING: ENNOVI INDICOAT PER miniPLX PLATING SPEC; E-IPX03703-FIN-3
BALANCE OF PIN 1-3um NICKEL ELECTROPLATE
4. EYE TYPE: ENNOVI 0.4 MINI PLX
5. CLEANLINESS OF COMPONENT TO BE EVALUATED PER ISO 16232:2018(E).
PART MUST MEET THE FOLLOWING COMPONENT CLEANLINESS CODE (CCC)
 1. CONDUCTIVE PARTICLES: CCC=N (H5/I-N0)
 2. NON-CONDUCTIVE PARTICLES: CCC=N (H8/I5/J2/K2/L-N0)
 3. LESS THAN 0.25mg TOTAL PARTICULATE CONTAMINATION PER PART

REVISIONS				
ZONE	REV.	DESCRIPTION	DATE	APPROVED
	A	INITIAL RELEASE	2021-03-16	
	B	ADD 0.3 GAP, REMOVE CYL FROM TIP TP, ADDED TIP TP TO D, ADD 1.6 REF, REMOVE NOTE 5 AND 6.	5/12/2021	GP
	C	UPDATED MATERIAL NOTE, UPDATED DATUM D LOCATION, 0.1TP WAS 0.05TP	7/2/2021	
	D	REMOVED 3.6 ± 0.01 ; ADDED 1.37 ± 0.1 ; ADDED NOTE 5	8/27/2021	
	E	REMOVED 1.37 ± 0.1 ; ADDED 3.6 ± 0.1 ; UPDATED NOTE 5; ADDED $2X \phi 1.5 \pm 0.02$	10/6/2021	
	F	$2X \phi 1.23 \pm 0.02$ WAS $2X \phi 1.5 \pm 0.02$	10/29/2021	



ENNOVI PART # IPX50020

UNLESS OTHERWISE SPECIFIED:		THIRD ANGLE PROJECTION				THIS DRAWING CONTAINS INFORMATION THAT IS THE PROPERTY OF ENNOVI™ AND SHOULD NOT BE USED WITHOUT WRITTEN PERMISSION	
DIMENSIONS	TOLERANCES	WEIGHT:	SURFACE FINISH:				
.X	±0.1	-	SEE NOTES	TITLE: 28 WAY CONNECTOR 9.525 BOARD-BOARD GAP		SCALE:	5:1
.XX	±0.07			DRAWING NO.: E-IPX50020		SIZE:	A2
.XXX	±0.03			DESCRIPTION:		SHEET	1 / 1
ANGULAR	±2°						