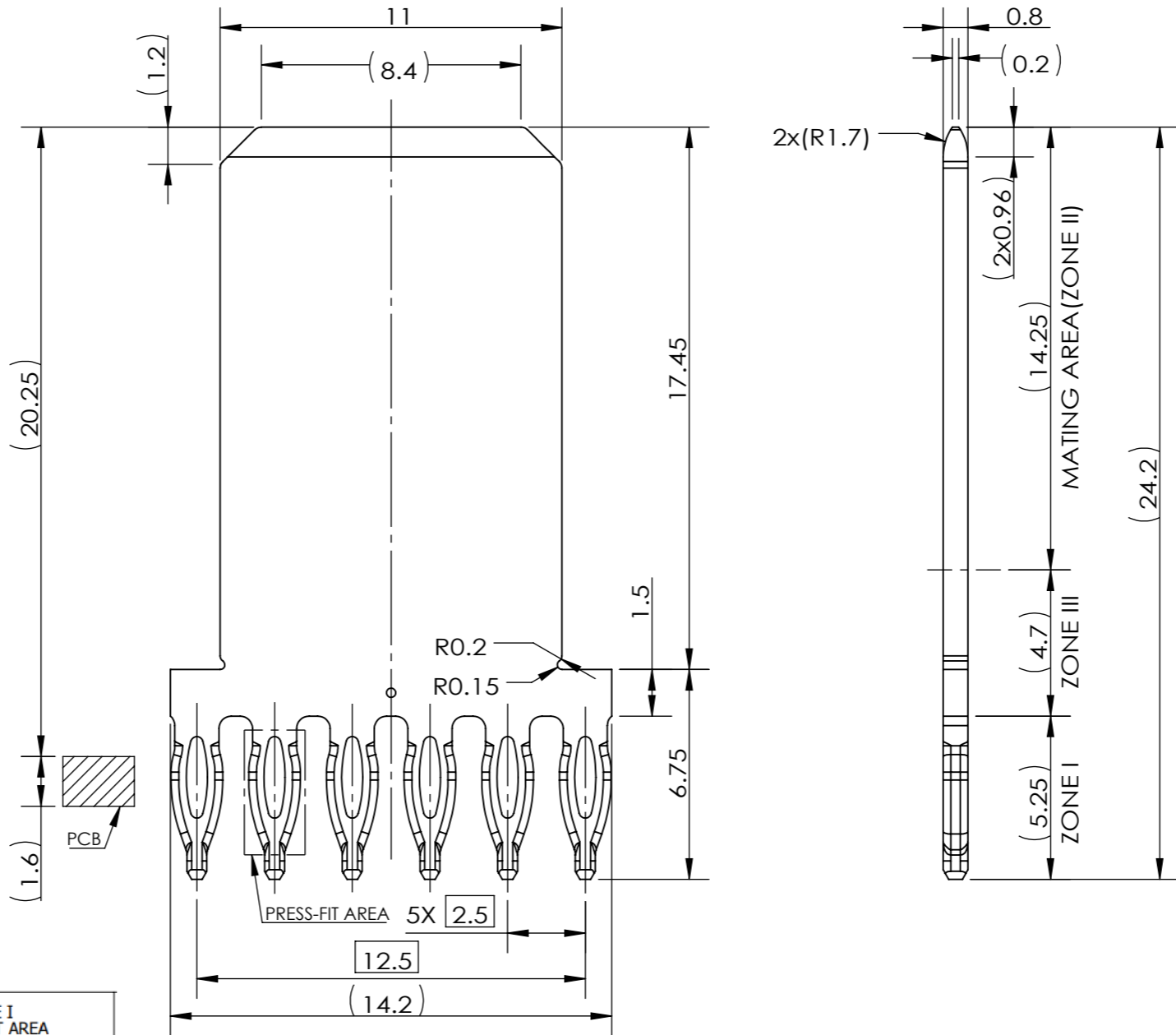


NOTES (UNLESS OTHERWISE INDICATED):

- MATERIAL: C19010, CuNiSi R580;
- OPERATION TEMPERATURE: -40~+150C
- PRESS-FIT AREA: ENNOVI STANDARD 0.8EON
- FINISH SPECIFICATION
 ZONE I (PRESS-FIT AREA): INDICOAT, REFER TO BELOW PLATING TABLE
 ZONE II: 1.0~3.0um Ag, 1.0~2.2um Ni; OR CUSTOMERIZED
 ZONE III: TRANSITION AREA, Ni PLATING, Ag ALLOWED
- ALL DIMENSIONS AFTER PLATING
- PCB FINISH: RECOMMENDED ImmSn, OPTIONAL ImAg/OSP
 PCB HOLE CONSTRUCTION: SEE BELOW CHART
- PRESS FIT DIMENSION REFER TO DRAWING E-MLG03034-APP;
 PRESS FIT PLATING REFER TO DRAWING E-MLG03034-FIN.

REV.	ZONE	DESCRIPTION	DRAWN BY DD/MM/YYYY	CHECKED BY DD/MM/YYYY	APPROVED BY DD/MM/YYYY	CHANGE NO
A	-	INITIAL RELEASE	Yin LIU 2023-12-05	-	Sohrab MORADI 2023-12-05	-
B		CHANGE TO ENNOVI DRAWING TEMPLATE	Yin LIU 2024-07-02		Sohrab MORADI 2024-07-02	



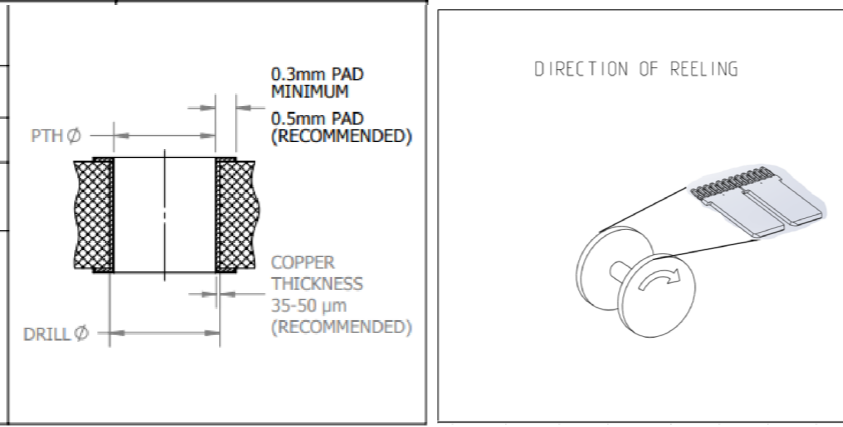
PART NUMBER	ZONE I PRESS-FIT AREA "TOP PLATE"	ZONE I PRESS-FIT AREA "UNDERPLATE"
E-MLG03034-FIN-4 (INDICOAT)	0.3 - 1.1 μm [12 - 45 μin] <ul style="list-style-type: none"> INDIUM POST-PLATED ELECTRODEPOSITED WHISKER-MITIGATED 	1.0 - 3.0 μm [39 - 120 μin] <ul style="list-style-type: none"> SULFAMATE NICKEL POST-PLATED ELECTRODEPOSITED

REQUIRED PCB HOLE CONSTRUCTION	METRIC (mm)
	DRILL (USE Ø 1.6 METRIC DRILL)
COPPER THICKNESS	0.050 ± 0.025
PLATED-THROUGH HOLE (PTH) DIAMETER	Ø 1.50 +0.04 / -0.05

COMPATIBLE PCB HOLE PLATING OPTIONS:

- IMMERSION TIN
- IMMERSION SILVER
- ELECTROLESS NICKEL IMMERSION GOLD (ENIG)
- ORGANIC SOLDERABILITY PRESERVATIVE (OSP)

APPLICABLE FOR NOMINAL PCB THICKNESS 1.5mm OR THICKER
 CONSULT PRODUCT ENGINEERING FOR OTHER PCB THICKNESS PLATING, AND CONSTRUCTION



UNLESS OTHERWISE SPECIFIED DIMENSIONS ARE IN MM FUNDAMENTAL TOLERANCING PRINCIPLE ISO 8015 FOR MISSING DIMENSIONS REFER TO 3D MODEL		ENNOVI™	
GENERAL TOLERANCE: -		THIS DRAWING CONTAINS INFORMATION THAT IS THE PROPERTY OF ENNOVI™ AND SHOULD NOT BE USED WITHOUT WRITTEN PERMISSION	
MATERIAL: CuNiSi R580 (C19010 R580)		TITLE: 0.8 EON PRESS-FIT 11.0MM BLADE	
WEIGHT: -	THIRD ANGLE PROJECTION	DRAWING NO.: IA6525	SCALE: -
SURFACE FINISH: IndiCoat		SIZE: A3	
NAME: SEE REVISION TABLE		DESCRIPTION: -	SHEET: 1 / 1

NOTES (UNLESS OTHERWISE SPECIFIED):

- MATERIAL:**
 - COPPER ALLOY; SEE CHART FOR OPTIONS
- EYE FINISH:**
 - POST-PLATED PER DRAWING E-MLG03034-FIN
- PCB HOLE REQUIREMENTS:**
 - SEE REQUIRED PCB HOLE CONSTRUCTION CHART
- MAX TEMP. RATING IS TEMPERATURE AT WHICH MATERIAL BEGINS TO STRESS RELAX. THE PCB GLASS TRANSITION TEMPERATURE RATING (T_g) MUST ALSO BE 20°C HIGHER THAN MAX APPLICATION TEMPERATURE FOR PROPER INTERFACE PERFORMANCE.
- DIMENSIONS AND GEOMETRIES SHOWN ARE SYMBOLIC REPRESENTATIONS ONLY.
- CONSULT PRODUCT ENGINEERING FOR POSSIBLE DIMENSIONAL CHANGES.

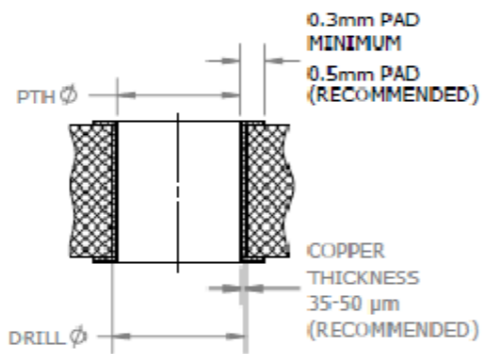
AVAILABLE ALLOYS		
TYPE	% IACS	MAX TEMP. RATING Δ
PHOSPHOR BRONZE	13-20	125°C
HIGH PERFORMANCE ALLOY	50	175°C
HIGH CONDUCTIVITY ALLOY	75-80	200°C

REVISIONS			
REV.	DESCRIPTION	DATE	APPROVED
A	INITIAL RELEASE	9/14/2007	RLS
B	ADDED PCB HOLE CONSTRUCTION SKETCH	4/6/2009	JDP
C	UPDATED AVAILABLE ALLOYS CHART	10/16/2009	JDP
D	UPDATED DRAWING VIEWS AND NOTES	12/05/2013	JDP
E	UPD. HOLE CONSTRUCT CHART, ALLOY CHART, ADD TOL.	06/21/2016	YF
F	UPD. HOLE CONSTRUCT CHART, DIM.	4/18/2018	YF
G	UPD. DIM SCHEME, ADD NOTE #5 & #6, UPD. VIEWS & NOTES	10/30/2020	YF

REQUIRED PCB HOLE CONSTRUCTION		METRIC (mm)
DRILL (USE ϕ 1.6 METRIC DRILL)		ϕ 1.600 \pm 0.025
COPPER THICKNESS		0.050 \pm 0.025
PLATED-THROUGH HOLE (PTH) DIAMETER		ϕ 1.50 $\begin{matrix} +0.04 \\ -0.05 \end{matrix}$

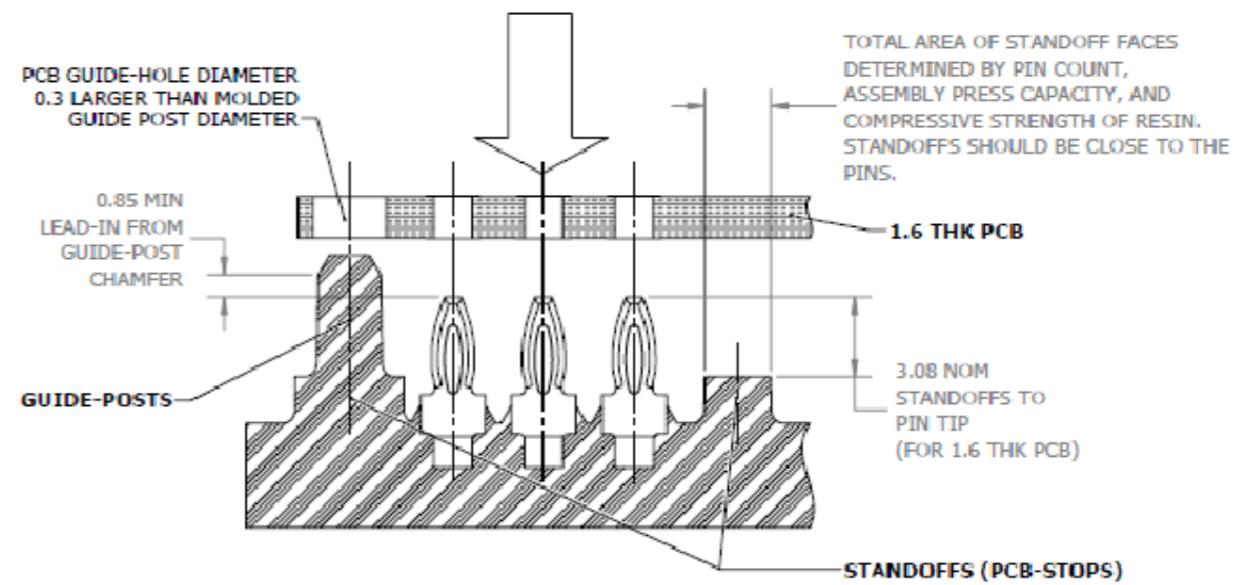
COMPATIBLE PCB HOLE PLATING OPTIONS:	
•	IMMERSION TIN
•	IMMERSION SILVER
•	ELECTROLESS NICKEL IMMERSION GOLD (ENIG)
•	ORGANIC SOLDERABILITY PRESERVATIVE (OSP)

APPLICABLE FOR NOMINAL PCB THICKNESS 1.5mm OR THICKER
CONSULT PRODUCT ENGINEERING FOR OTHER PCB THICKNESS PLATING, AND CONSTRUCTION

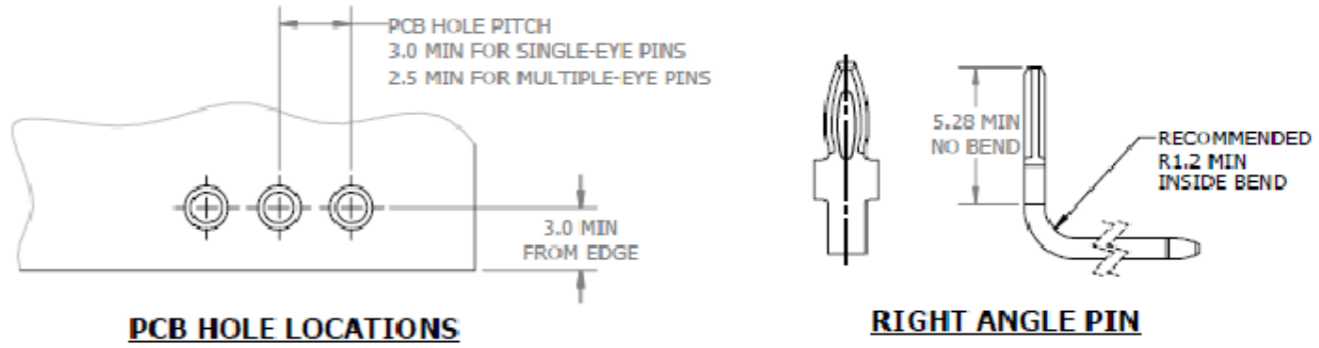
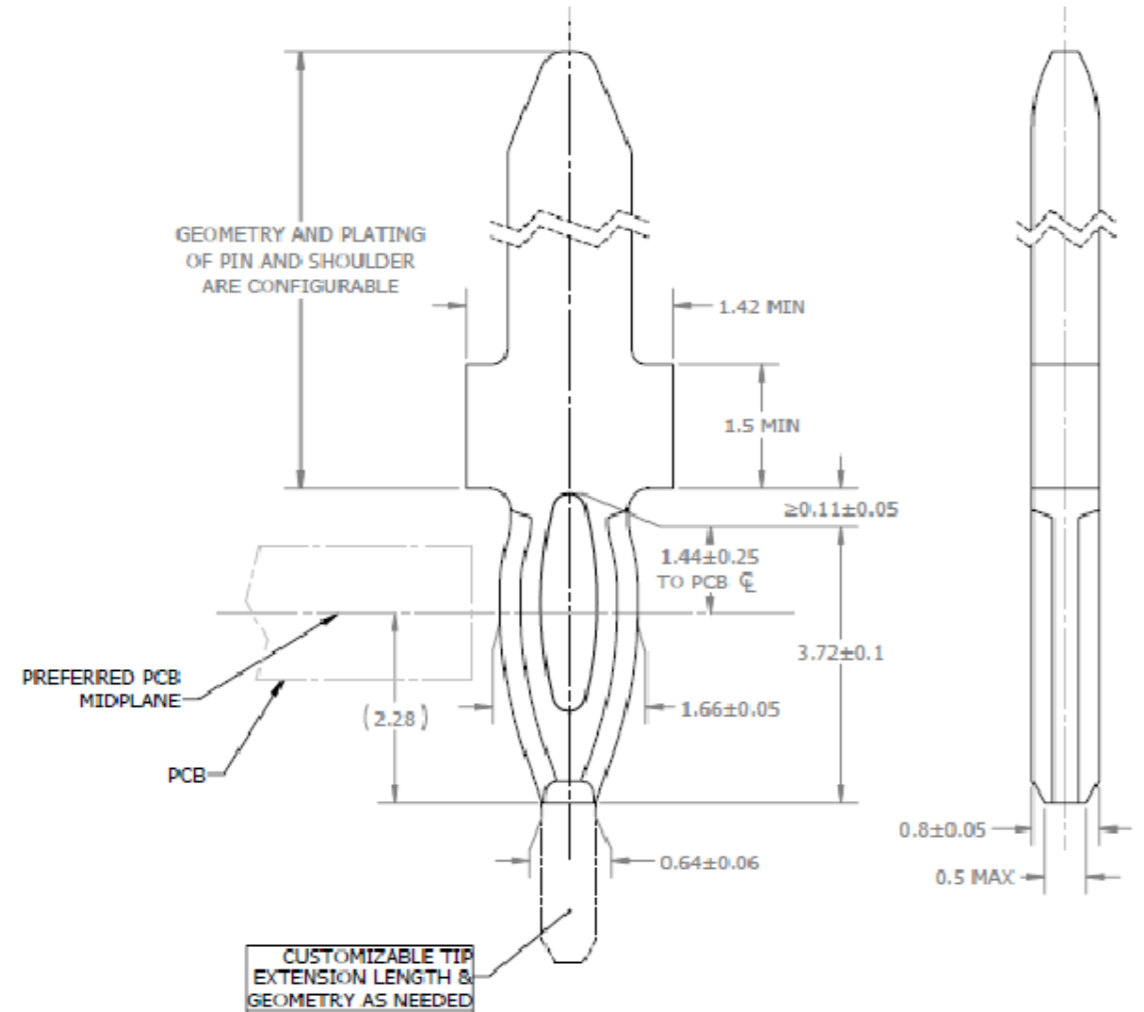


SUGGESTED APPLICATION DESIGN PRACTICES

THE PUSH TOOL USED TO PRESS THE PCB ONTO THE PINS SHOULD ENGAGE ONLY THE BOARD LAMINATE (NOT TRACES) AND ENGAGE CLOSE TO THE PINS AS WELL AS DIRECTLY OVER EACH STANDOFF SURFACE.



OVERMOLDED HOUSING WITH PRESS-FITS



PCB HOLE LOCATIONS

RIGHT ANGLE PIN

PROPRIETARY AND CONFIDENTIAL
THE INFORMATION CONTAINED IN THIS DRAWING IS THE SOLE PROPERTY OF INTERPLEX INDUSTRIES. ANY REPRODUCTION IN PART OR AS A WHOLE WITHOUT THE WRITTEN PERMISSION OF INTERPLEX INDUSTRIES IS PROHIBITED.

UNLESS OTHERWISE SPECIFIED:		NAME	DATE
DESIGNER	Y. FUKUDA	14SEP2007	
CHECKED	G. TORIGIAN	14SEP2007	
P/N:	080_EON_150		
UNITS: mm		Interplex	
TITLE: 0.8 EON PRESS-FIT APPLICATION		SIZE	DWG. NO.
MATERIAL: SEE NOTES		C	E-MLG03034-APP
FINISH: SEE NOTES		REV	G
DO NOT SCALE DRAWING		SHEET 1 OF 1	