

# Press-Fit

Our Press-Fit interconnect solutions provide an excellent solder-free alternative for creating robust electro-mechanical connections that are customizable, automation friendly and have proven reliable with billions of deployments in the field.

# ENNOVI™

## CERTIFIED RELIABLE



Press-Fit compliant interconnects are certified to IEC 60352-5, IPC9797 and have been tested to meet the most stringent automotive standards.

## CUSTOMIZABLE



Available in a wide range of sizes, materials and plating finishes, our Press-Fit products can also be customized to virtually any application.

## SOLDERLESS CONNECTION



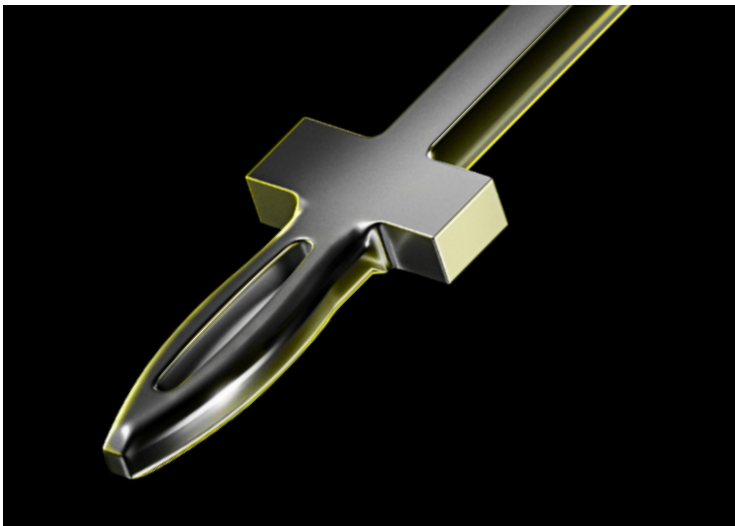
With the ability to accommodate thermal expansion mismatches, Press-Fit eliminates the risk of breakage and failures inherent to solder joints.

## APPLICATIONS

- + **Direct insert terminals**  
for: Body control modules, Power distribution centers, Door & window switch modules, Rear view mirrors
- + **Customized connectors:**  
Header connectors for small control modules, Switch assemblies, Board-to-board stacking, Wire-to-board connections
- + **Custom molded modules:**  
Control modules, Sensors, Actuator controls, Radar modules and Air-bag control modules
- + **Power lead frames**

## MARKETS

- + Automotive
- + Aerospace
- + Consumer electronics
- + Robotics & humanoid robotics
- + Industrial



## PRESS-FIT TECHNOLOGY

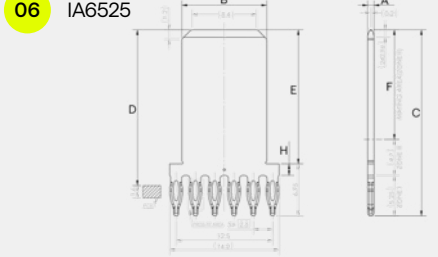
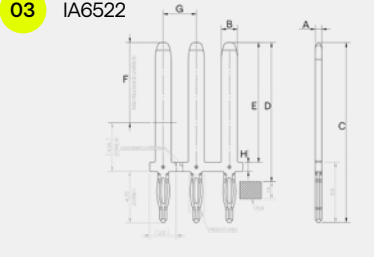
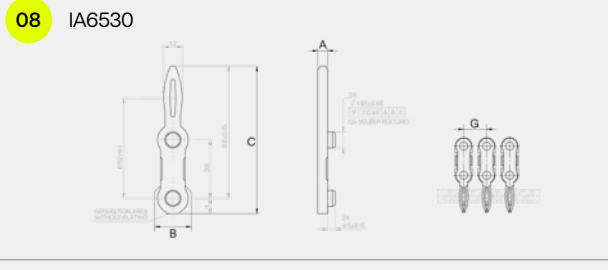
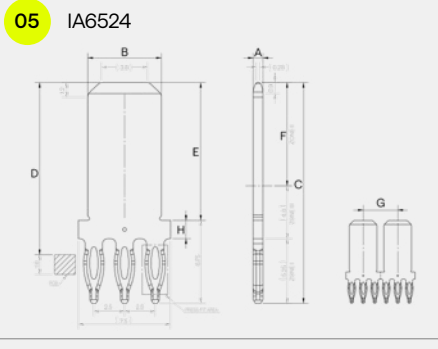
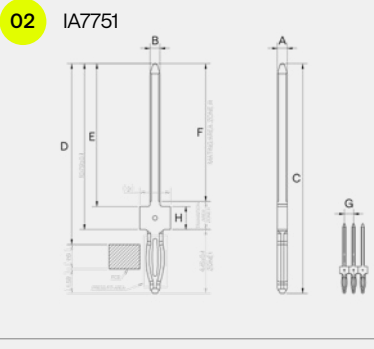
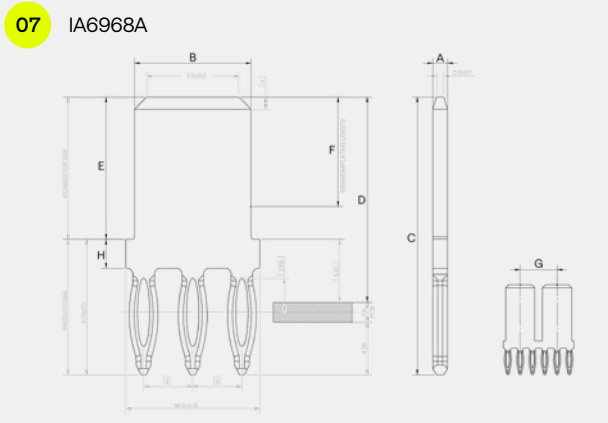
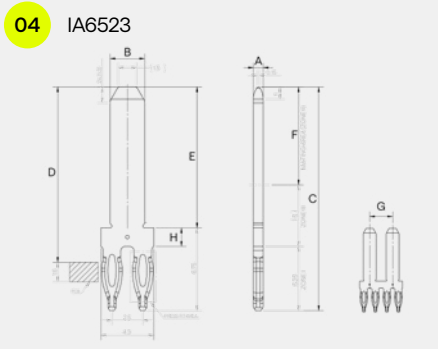
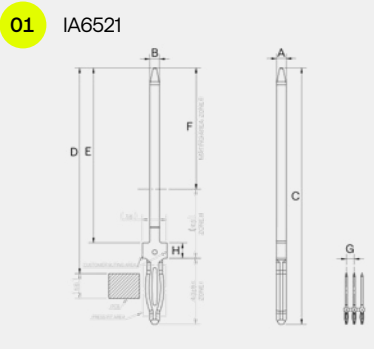
- + Compliant **high normal force** technology: accommodates coefficient of thermal expansion mismatch.
- + Option for IndiCoat™, a tin-free whisker mitigation plating developed by ENNOVI.



## PRODUCT TYPES

PRODUCT FAMILY	PRESS-FIT TYPE	PICTURE	FINISHED PCB HOLE DIAMETER (MM)	INSERTION FORCE <sup>1</sup>	PUSH-OUT FORCE <sup>1,2</sup>
Mini	0.4 miniPLX		Ø0.55 - 0.65	≤ 100 N	≥ 15 N
Mini	0.4 miniEON		Ø0.55 - 0.65	≤ 70 N	≥ 15 N
Signal	0.4 EON		Ø0.74 - 0.83	≤ 70 N	≥ 15 N
Signal	0.64 EON		Ø1.0 - 1.1	≤ 100 N	≥ 30 N
Power	0.8 EON		Ø1.45 - 1.55	≤ 180 N	≥ 60 N
High Power	1.2 EON		Ø2.0 - 2.1	≤ 180 N	≥ 60 N

<sup>1</sup> Sn plated Press-Fit, Imm. Sn PCB of thickness ≥1.6 mm  
<sup>2</sup> After storage at room temperature for ≥24 hours



		A	B	C	D	E	F	G	H				
Image	P/N	Mating Area Thickness (mm)	Width (mm)	Length (mm)	Height Above PCB +/-0.2	Tip to Shoulder +/-0.05 (mm)	Mating Area (mm)	Pitch +/- 0.05 (mm)	Carrier Height +/-0.1 (mm)	Material	Plating, Press-Fit Eye (um)	Plating Mating Side (um)	PCB PTH Size (mm)
01	IA6521	0.63	0.63	16.7	13.4	11.4	7.9	2.54	1	C19010	0.3-1.1um Indium over 1-3um Ni	0.76-1.5um Matte Tin over 1-2 um Ni	1.05+0.04/-0.05
	IA6521A	0.63	0.63	17.4	14.1	11.9	7.9	2.54	1.2	C19010	0.3-1.1um Indium over 1-3um Ni	1-3um Sn over 1-3um Ni	1.05+0.04/-0.05
	IA6521C	0.63	0.63	15.95	12.65	10.45	7.9	2.54	1.2	C19010	0.3-1.1um Indium over 1-3um Ni	1-3um Sn over 1-2.2um Ni	1.05+0.04/-0.05
	IA6521D	0.63	0.63	18.7	15.4	13.2	7.9	2.54	1.2	C19010	0.3-1.1um Indium over 1-3um Ni	1-3um Sn over 1.3-2.2um Ni	1.05+0.04/-0.05
	IA6521E	0.64	0.64	15.06	11.76	9.56	8.96	2.54	1.2	CuSu6	0.3-1.1um Indium over 1-3um Ni	2.03-3.3um Nickel, 1-2um Matte Tin	1.05+0.04/-0.05
02	IA7751	0.64	0.64	14.94	11.76	9.29	8.96	2	1.5	CuSu6	0.3-1.1um Indium over 1-3um Ni	2.03-3.3um Nickel, 1-2um Matte Tin	1.05+0.04/-0.05
03	IA6522	0.64	1.5	16.8	13	11.2	7.5	3.1	0.85	C19010	0.3-1.1um Indium over 1-3um Ni	0.76-1.5um Matte Tin over 1-2 um Ni	1.05+0.04/-0.05
	IA6522C	0.6	1.5	17.8	14	11.85	8.5	3.1	1.2	C19010	0.3-1.1um Indium OVER 1.0-2.0um	BRIGHT Sn: 1-3um over 1-2.2um Ni	1.05+0.04/-0.05
04	IA6523	0.8	2.8	18.25	14.3	11.5	8	5	1.5	C19010	0.3-1.1um Indium over 1-3um Ni	1-3um Matte Tin over 1-2.2 um Ni	1.5+0.04/-0.05
	IA6523C	0.8	2.8	19.5	15.55	12.75	9.25	5	1.5	C19010	0.3-1.1um Indium over 1-3um Ni	BRIGHT Sn: 1-3um over 1-2.2um Ni	1.5+0.04/-0.05
	IA6523D	0.8	1.5	17.73	14.65	12.53	8	3.5	1.2	C19010	0.3-1.1um Indium over 1-3um Ni	BRIGHT Sn: 1-2.5um over 0.76-2um Ni	1.5+0.04/-0.05
05	IA6524	0.8	6	17.95	14	11.2	8.4	7.5	1.5	C19010	0.3-1.1um Indium over 1-3um Ni	1-3um Matte Tin over 1-2.2 um Ni	1.5+0.04/-0.05
	IA6524C	0.8	6	18.95	15	12.2	0.4	7.5	1.5	C19010	0.3-1.1um Indium over 1-3um Ni	1-3um Matte Ag, 1-2um Ni	1.5+0.04/-0.05
06	IA6525	0.8	11	24.2	20.25	17.45	14.25	15	1.5	C19010	0.3-1.1um Indium over 1-3um Ni	1-3um Silver over 1-2.2 um Ni	1.5+0.04/-0.05
07	IA6968A	1.2	9.5	22.58	16.7	11.57	8.9	12	2.35	C19010	0.3-1.1um Indium over 1-3um Ni	1-3um Silver over 1-2 um Ni	2.04+-0.05
08	IA6530	0.64	1.6	9.6	N/A	N/A	N/A	3	N/A	C19010	0.4-1.5um Sn over 1-3um Ni	0.4-1.5um Sn over 1-3um Ni	1.05+0.04/-0.05

Need a custom solution?

CONTACT US



© 2026 ENNOVI  
ALL RIGHTS RESERVED

FOLLOW US ON  
LINKEDIN  
YOUTUBE  
WECHAT

VISIT ENNOVI.COM  
FOR MORE DETAILS

ENN-SGN-PFT01-03-EN-001

ENNOVI™